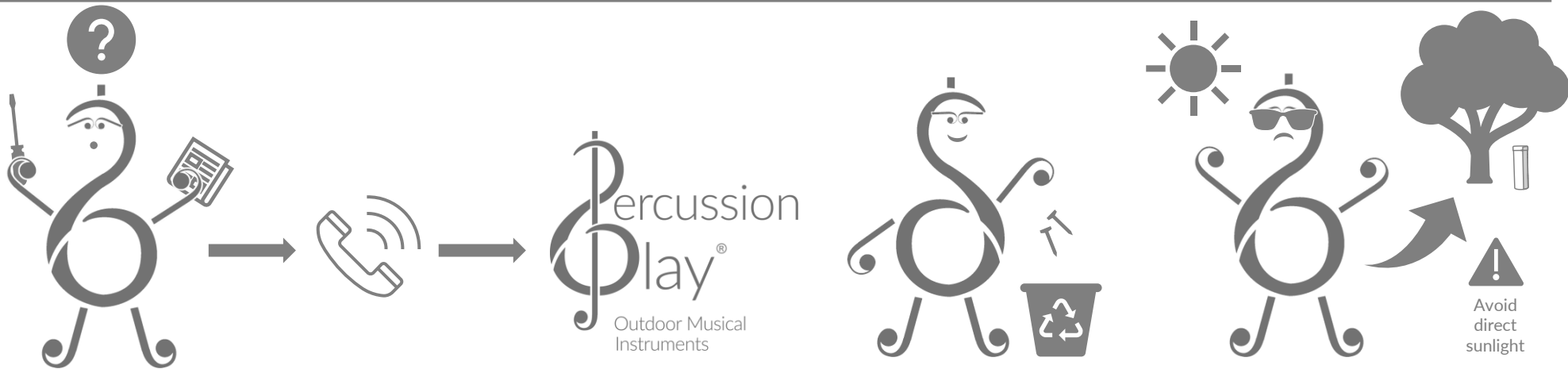
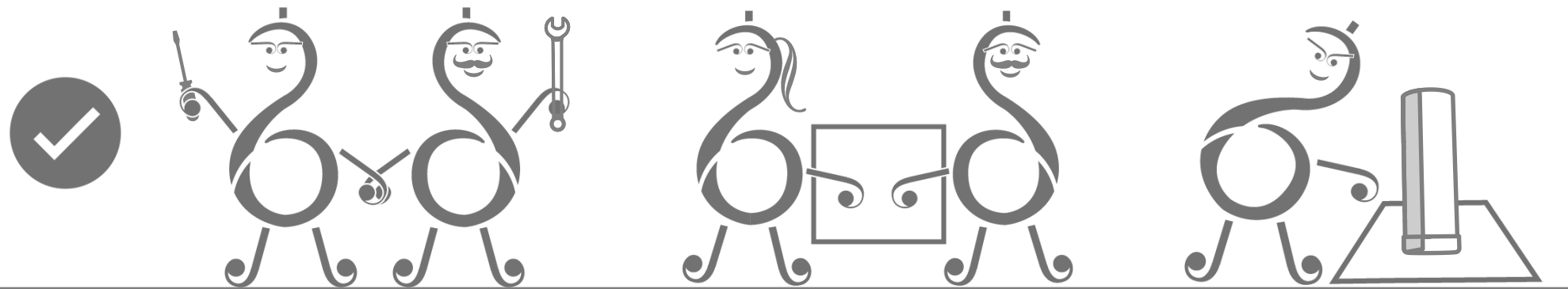
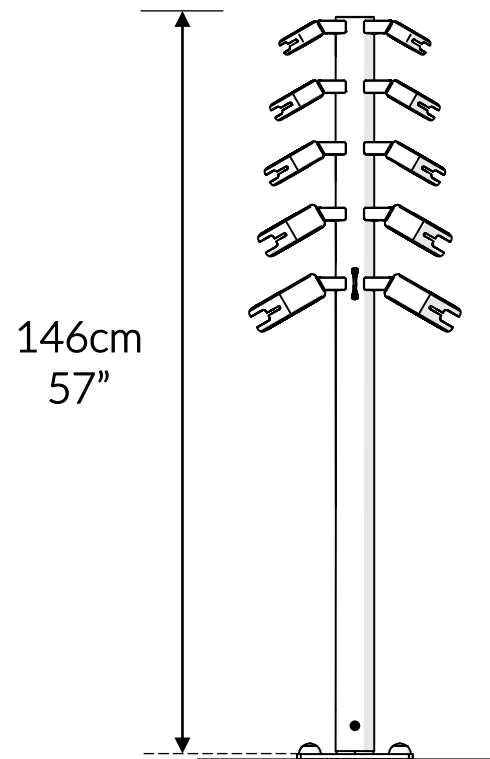
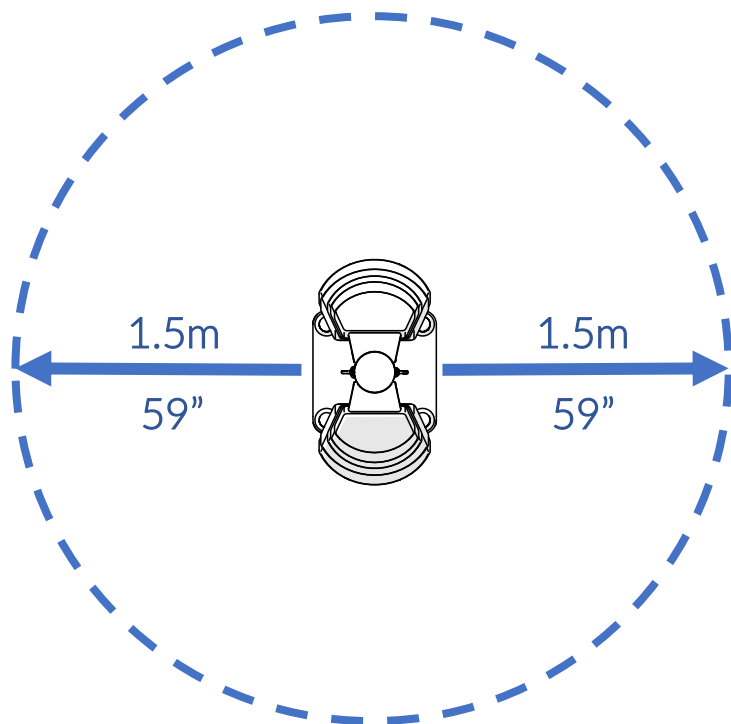


Part Reference	Description
	Temple Block Tree (Surface Fix)

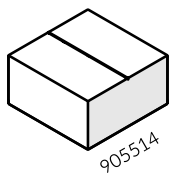




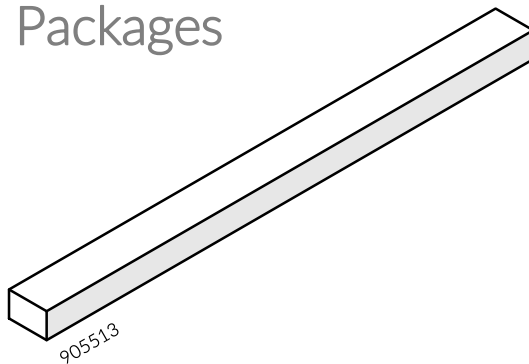


Check Risk Assessment

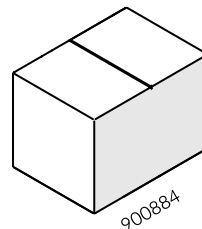
Packages



x1



x1



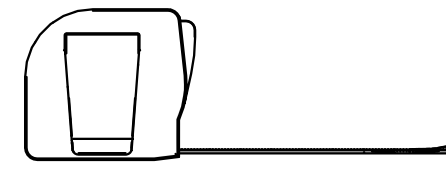
x1

Tools required  
(not supplied)

1/4" Bit Driver Ratchet



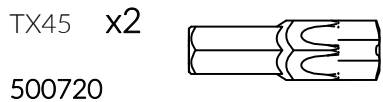
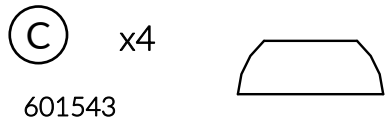
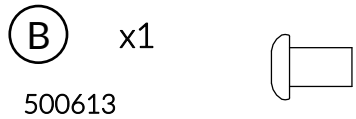
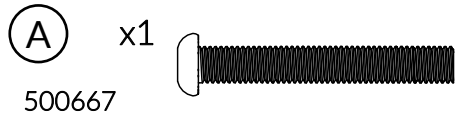
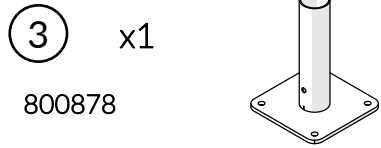
Tape Measure



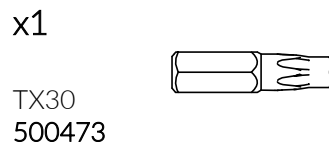
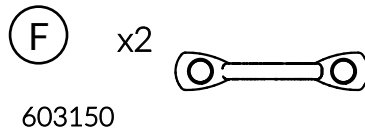
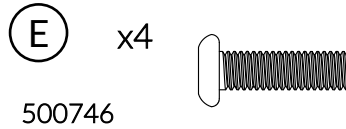
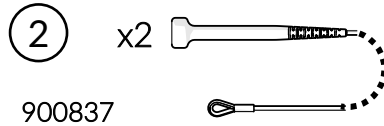
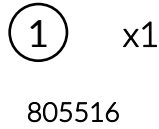
		L	W	H	Weight	Net
x1	905514	32cm / 12.5"	32cm / 12.5"	17cm / 7"	5kg / 11lbs	
x1	905513	194cm / 76"	15cm / 6"	10cm / 4"	11kg / 24lbs	
x1	900884	32cm / 12.5"	23cm / 9"	23cm / 9"	6kg / 13lbs	



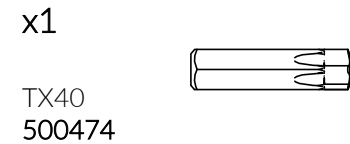
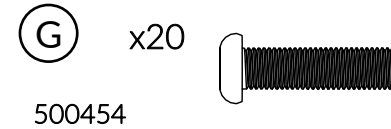
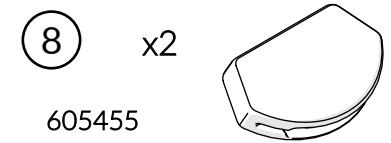
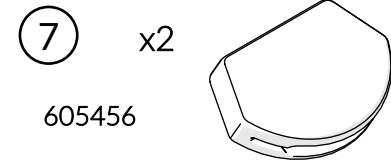
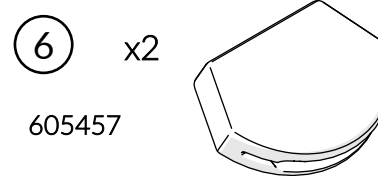
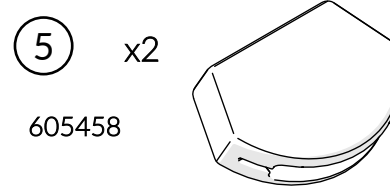
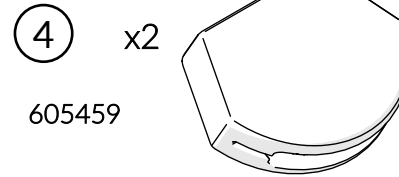
900884



905513



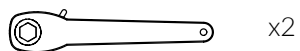
905514



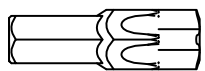
Not to scale

# 1.


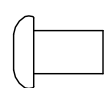
## 1.1

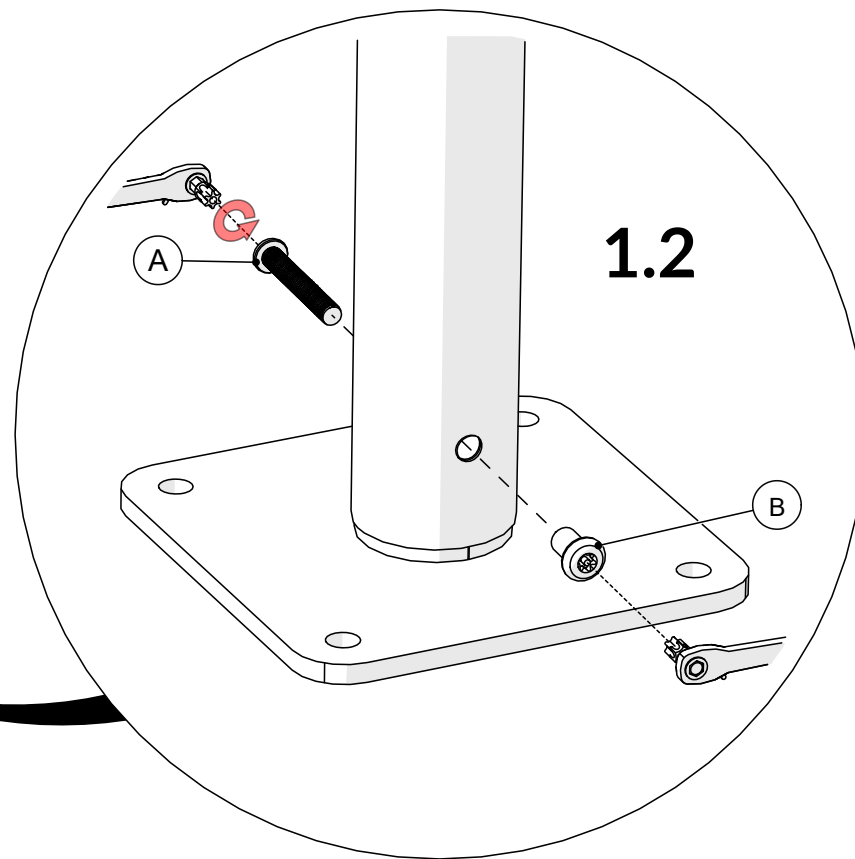
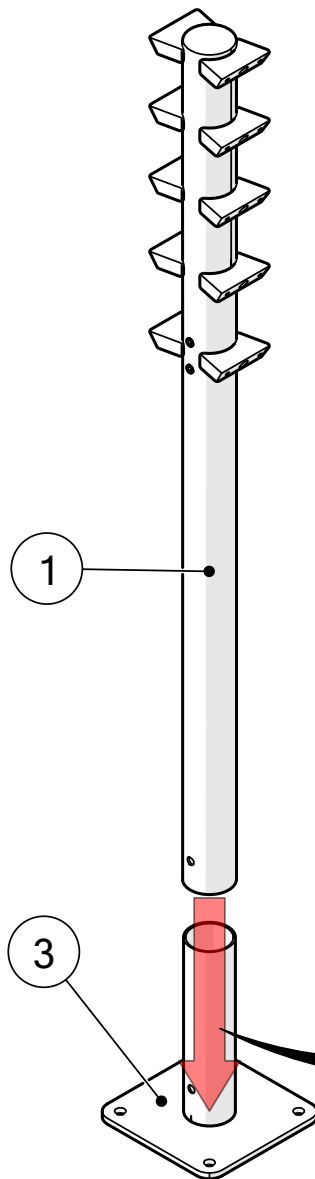


x2

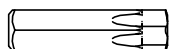
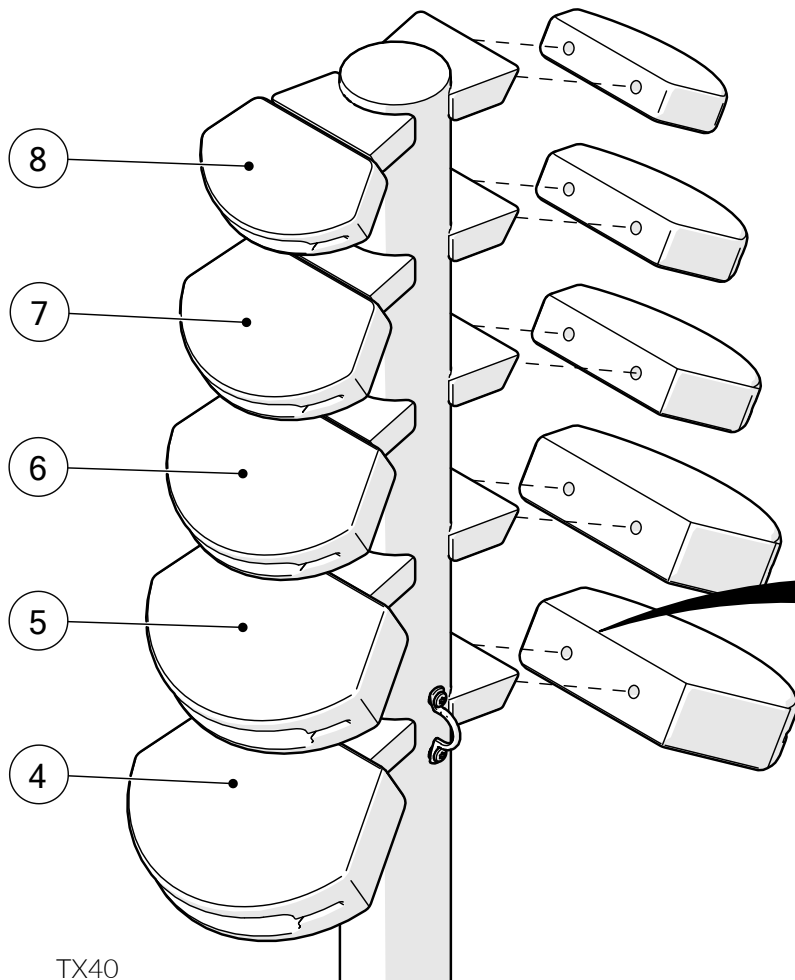


x2 TX45

A		x1
B		x1

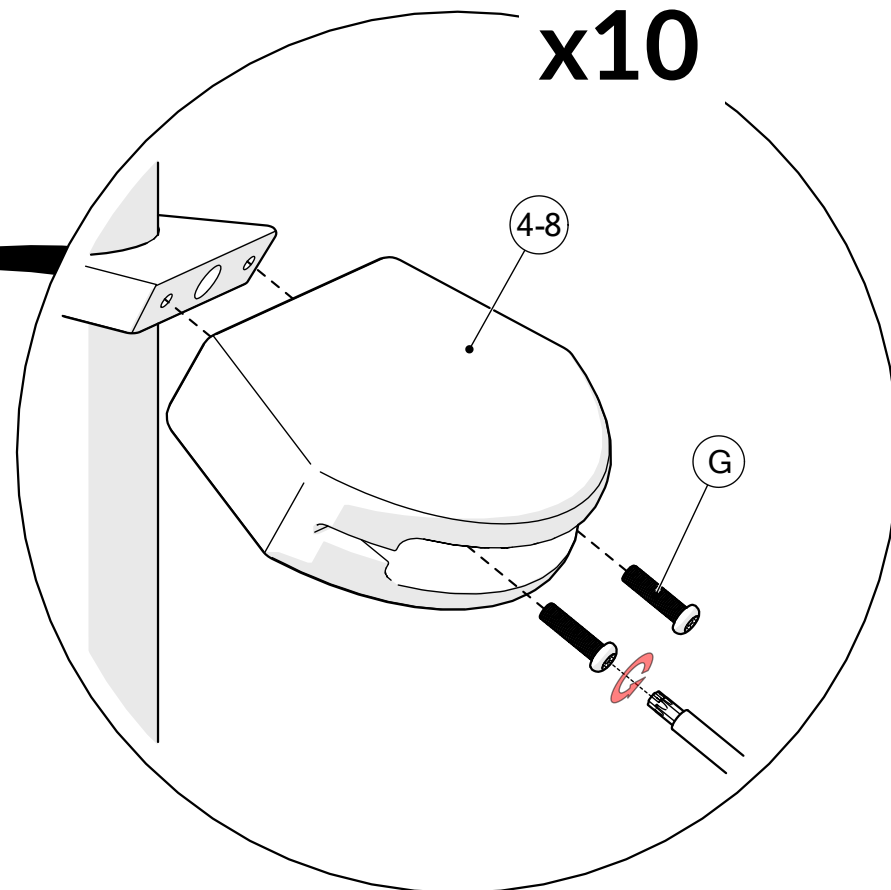


2.



TX40

G		x20
---	--	-----



x10

# 3.

Surface fixing should not present a hazard



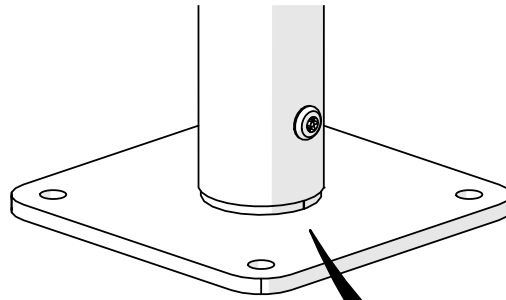
Refer to your local Health & Safety standards

C		x4
D		x4

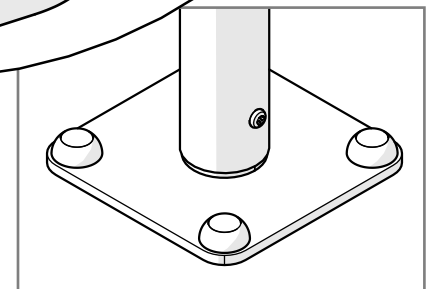
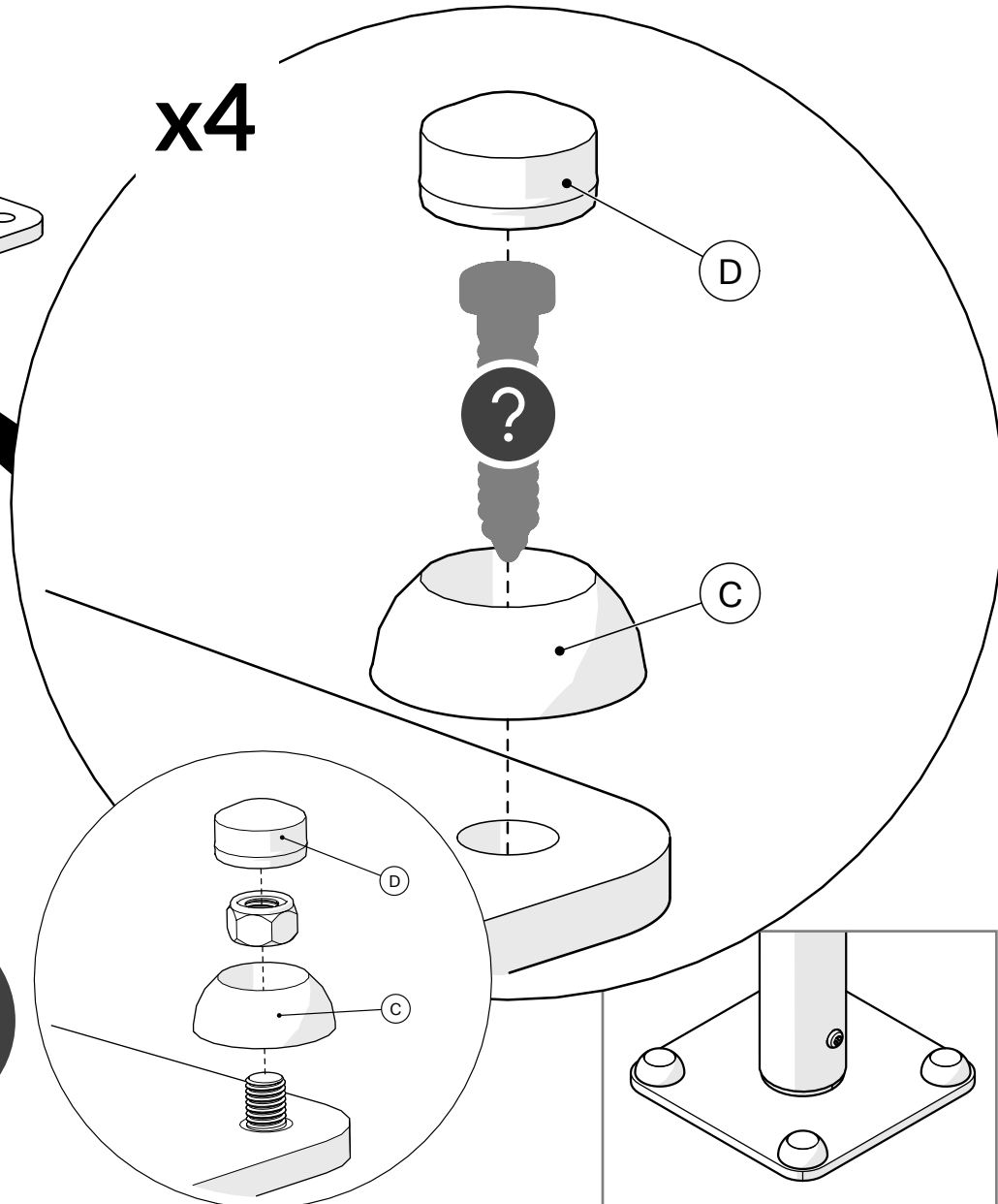
Surface

Example fixing

	Wood		x4
	Concrete		x4
	Brick		x4



x4



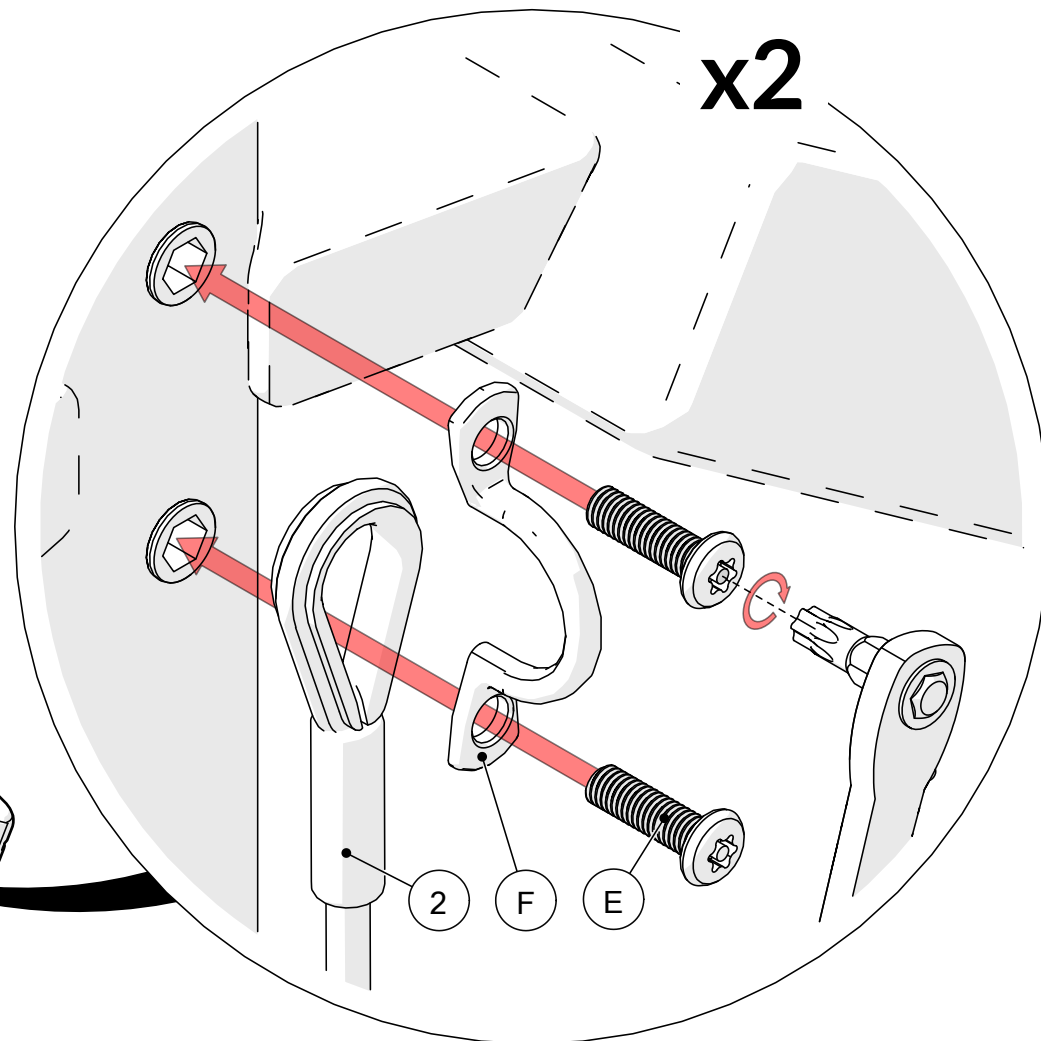
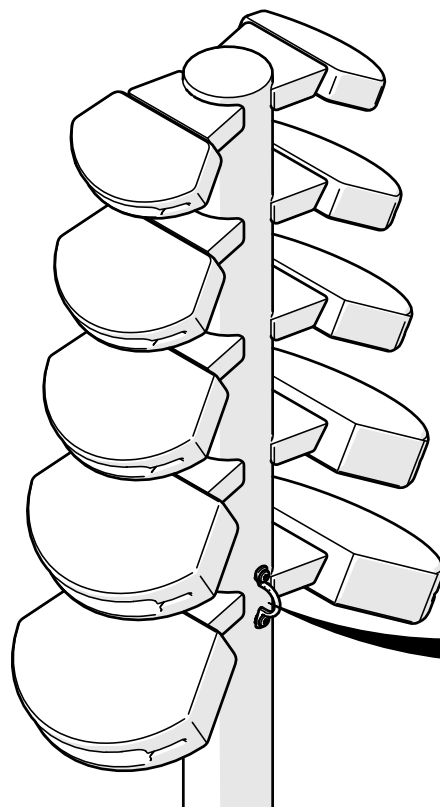


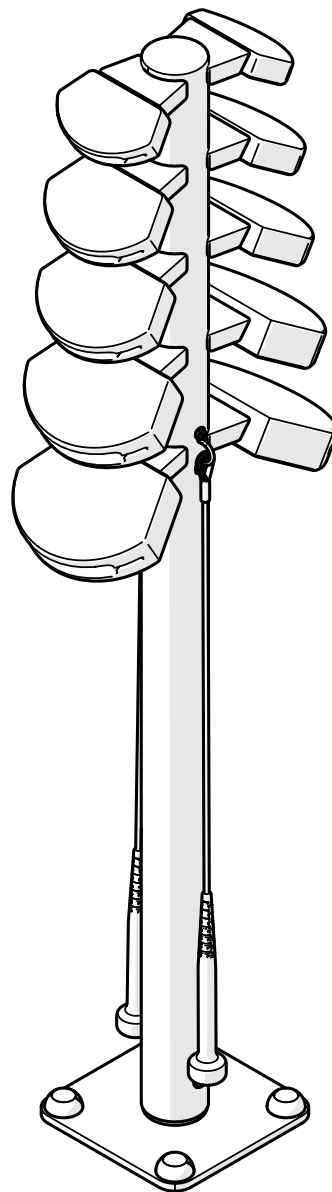
# 4.



TX30

2		x2
E		x4
F		x2





[percussionplay.com](http://percussionplay.com)



[info@percussionplay.com](mailto:info@percussionplay.com)



UK  
[01730 235 180](tel:+441730235180)

USA & CAN  
[+1 \(866\) 882 9170](tel:+18668829170)

EUR & ROW  
[+44 1730 235 180](tel:+441730235180)