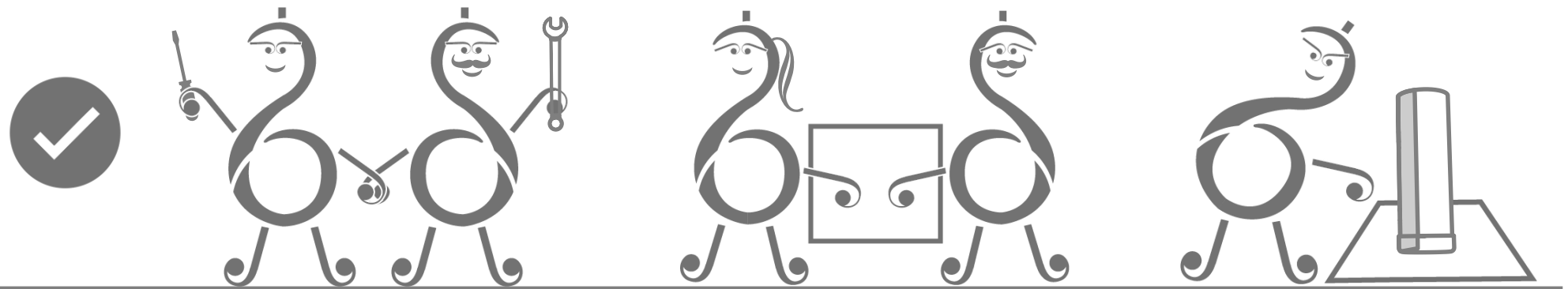
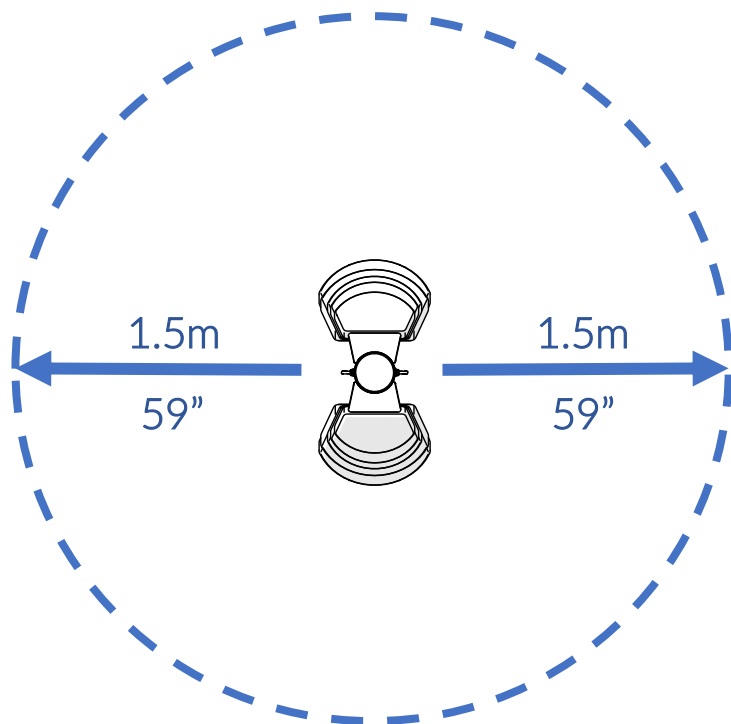


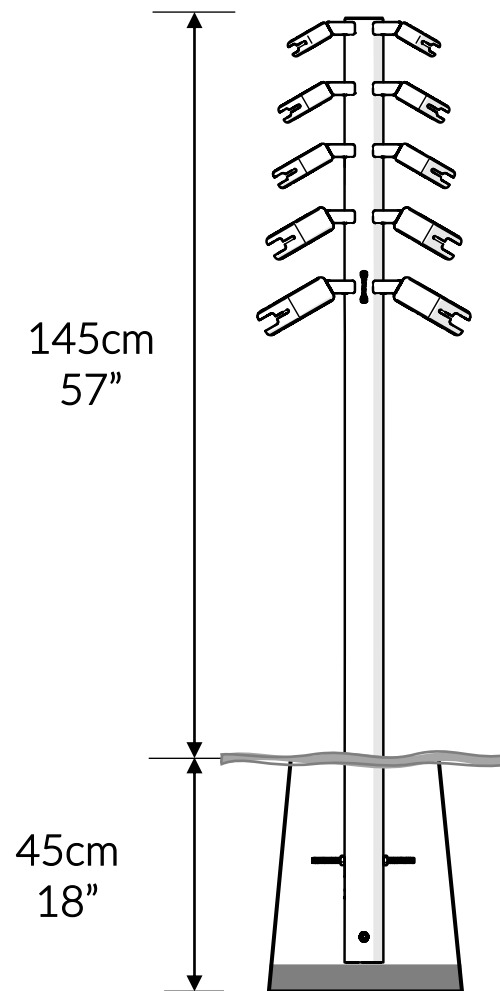
Part Reference	Description
	Temple Block Tree (Ground Fix)



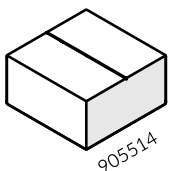




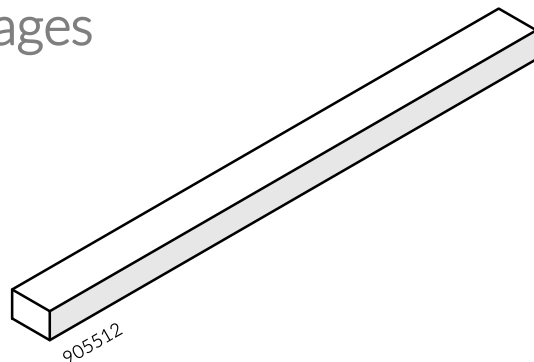
Check Risk Assessment



Packages



x1

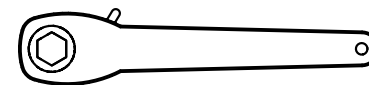


x1

		L	W	H	Weight	Net
x1	905514	32cm / 12.5"	32cm / 12.5"	17cm / 7"	5kg / 11lbs	
x1	905512	194cm / 76"	15cm / 6"	10cm / 4"	11kg / 24lbs	

Tools required (not supplied)

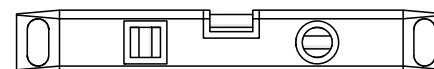
¼" Bit Driver Ratchet



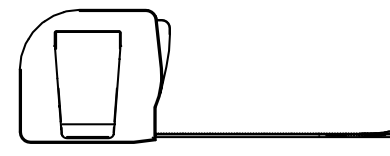
11/16" / 17mm Spanner

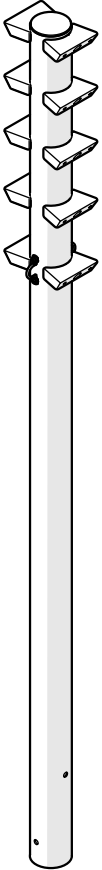



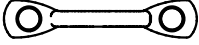
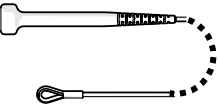



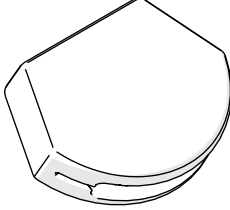
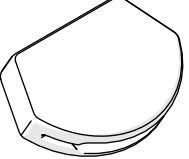
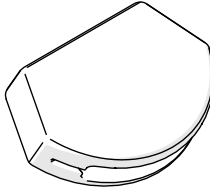
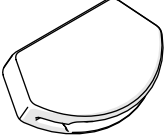
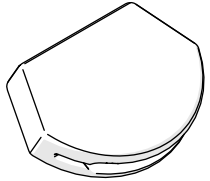

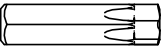
Spirit level



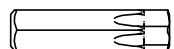
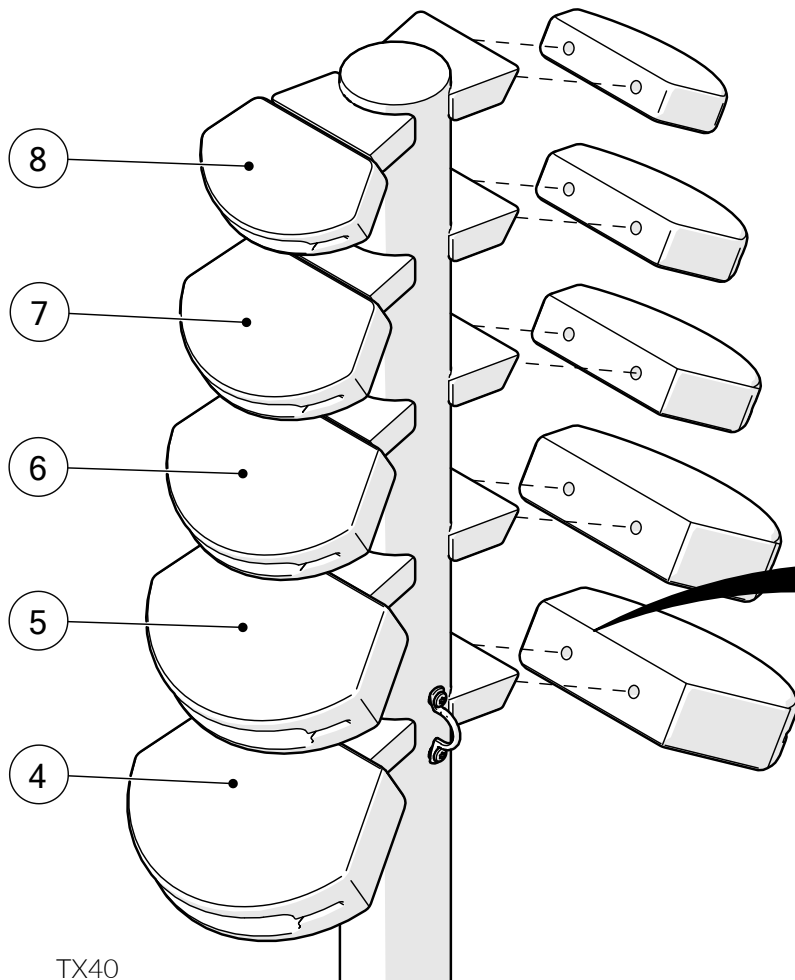
Tape Measure



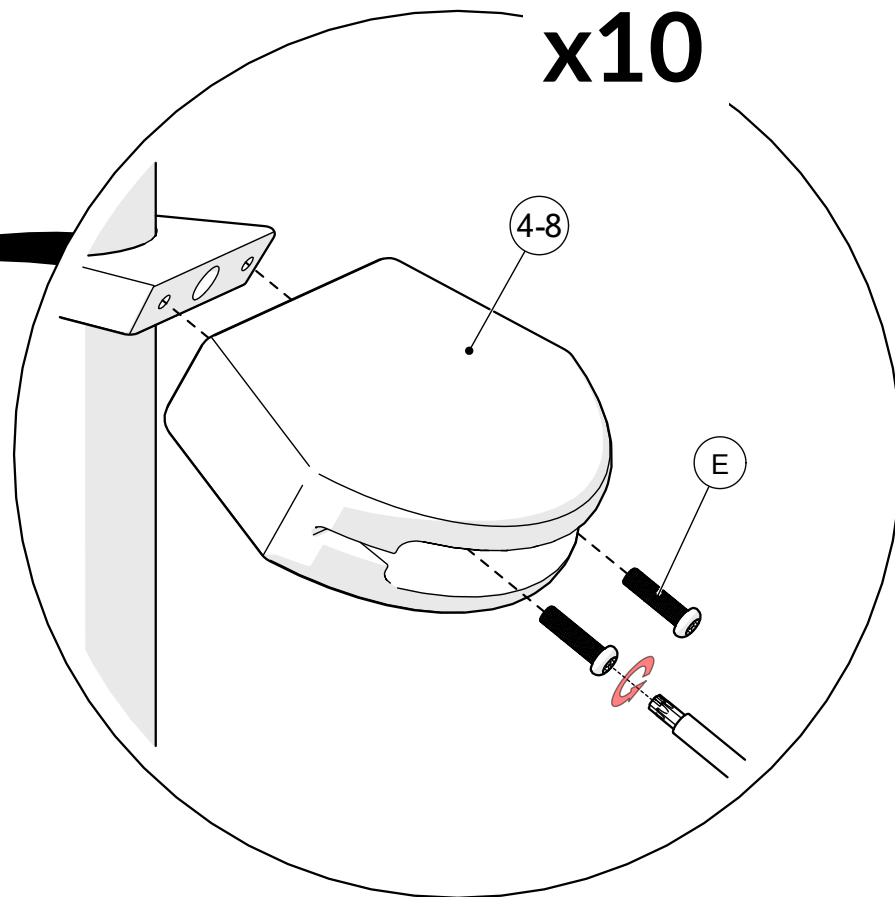
905512		
		<p>(B) x4 500457</p> 
		<p>(C) x4 500746</p> 
		<p>(D) x2 603150</p> 
		<p>(2) x2 900837</p> 
		<p>x1 TX30 500473</p> 
<p>(1) x1 805515</p>	<p>(A) x2 500627</p>	

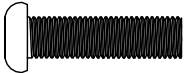
905514		
<p>(4) x2 605459</p> 	<p>(7) x2 605456</p> 	
<p>(5) x2 605458</p> 	<p>(8) x2 605455</p> 	
<p>(6) x2 605457</p> 	<p>(E) x20 500454</p> 	
	<p>x1 TX40 500474</p> 	

1.



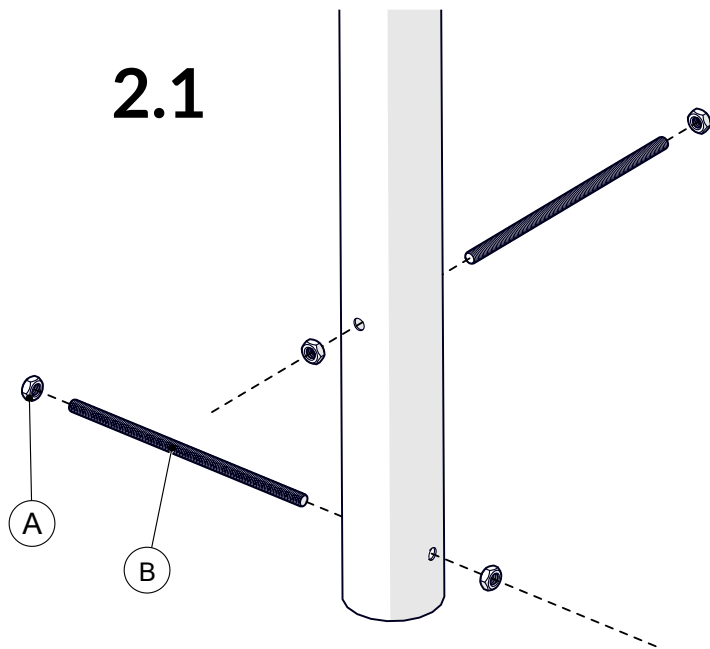
TX40



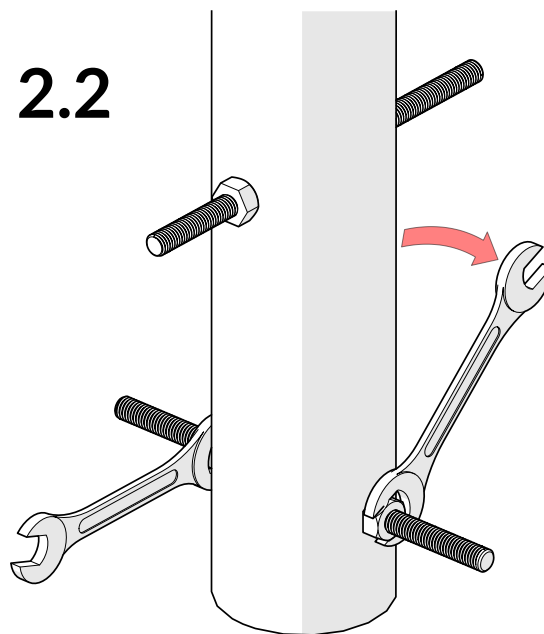
E		x20
---	---	-----

2.

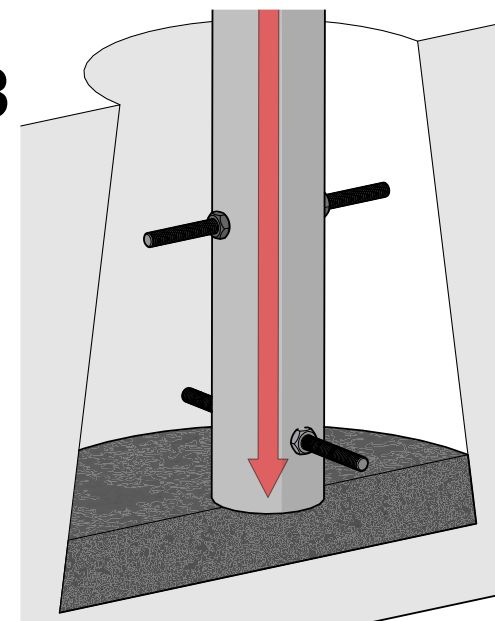
2.1




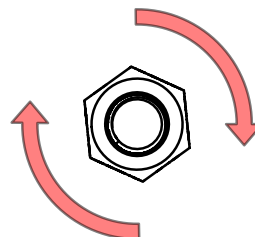
2.2



2.3



A		x4
B		x2

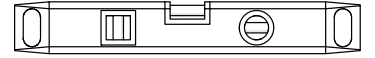
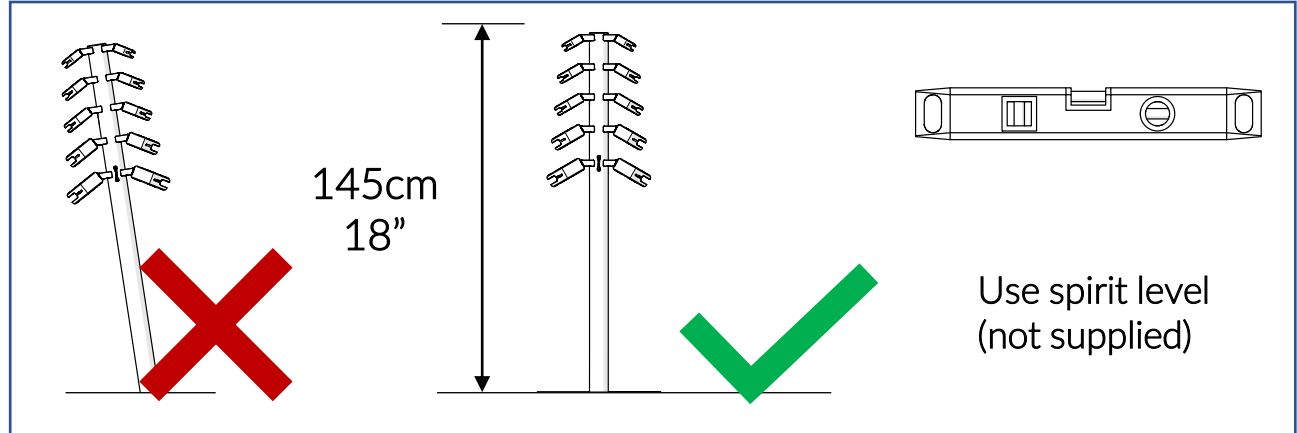


3.

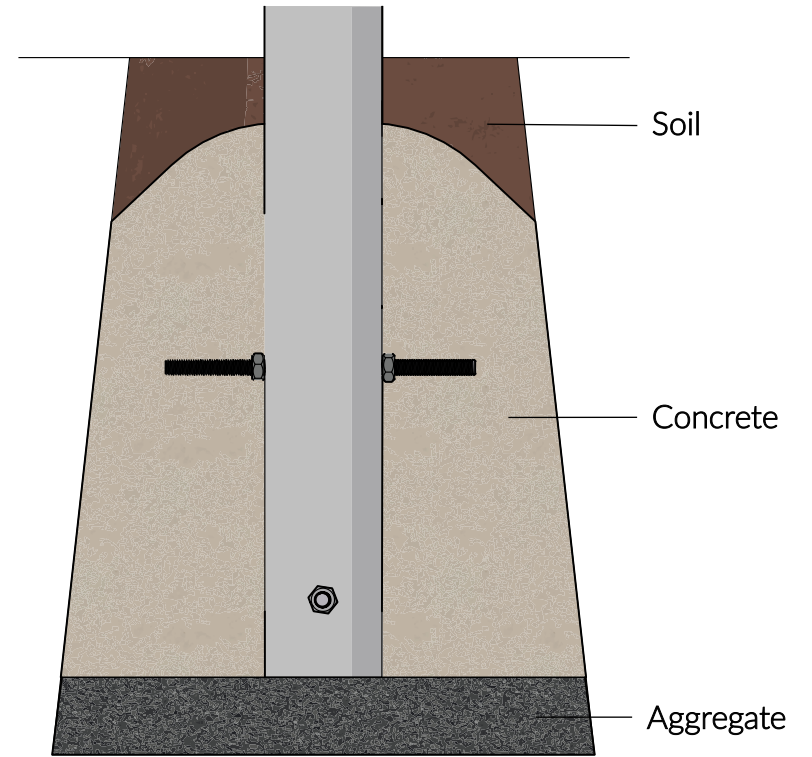
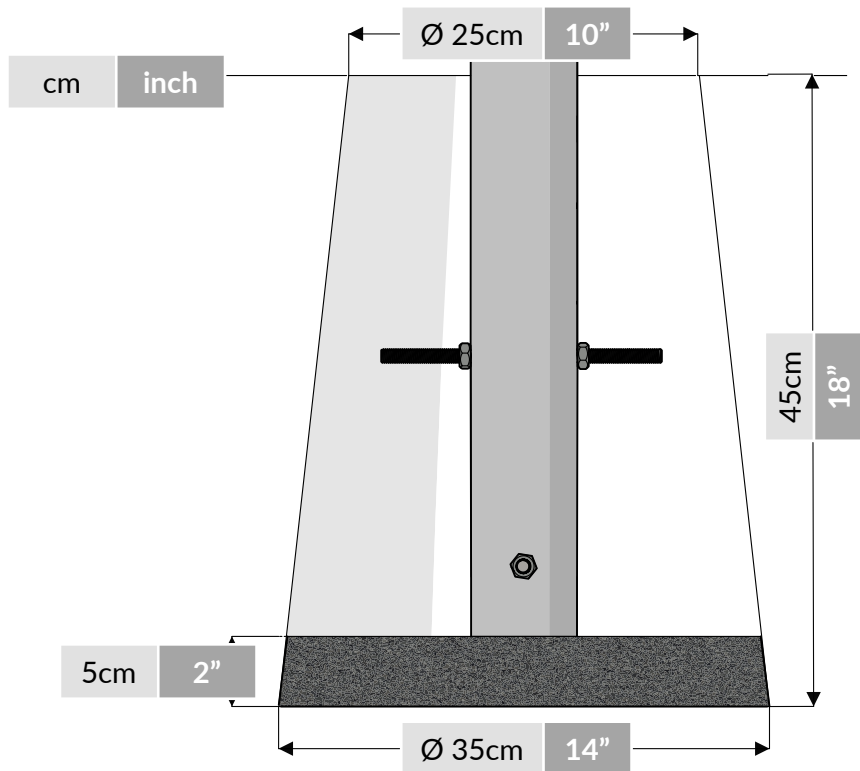


Foundations should not present a hazard

Refer to your local Health & Safety standards



Use spirit level (not supplied)

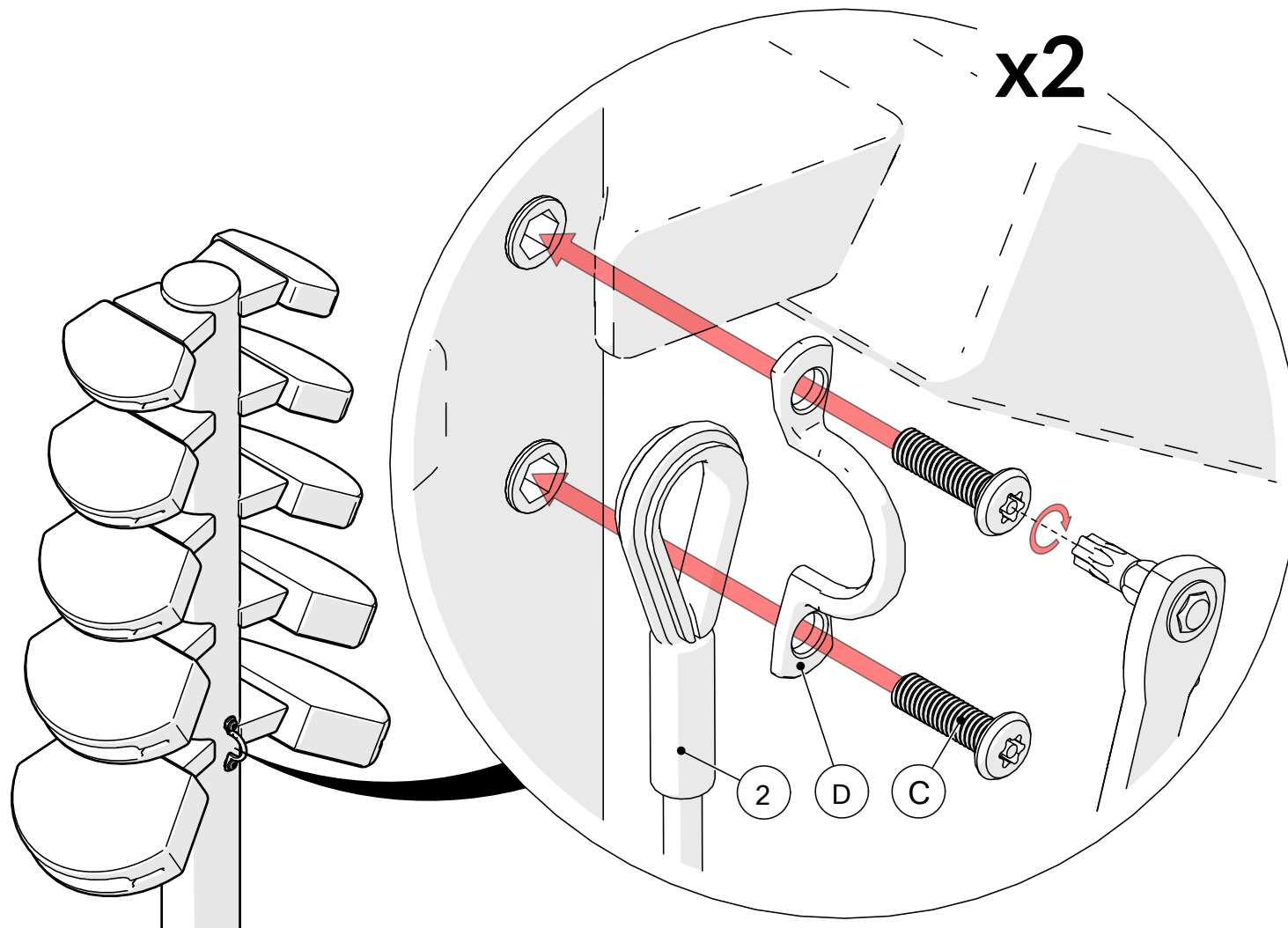


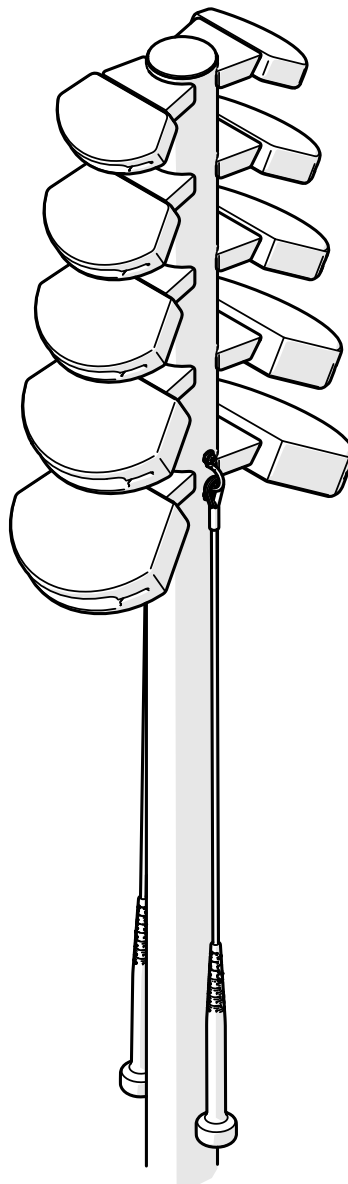
4.



TX30

2		x2
C		x4
D		x2





percussionplay.com



info@percussionplay.com



UK
[01730 235 180](tel:01730235180)

USA & CAN
[+1 \(866\) 882 9170](tel:+18668829170)

EUR & ROW
[+44 1730 235 180](tel:+441730235180)